

7000 and 8000 Room Controllers

VC1300/VC2300 Mixed Voltage Fan Coil Package Application Guide

Fan Control Center with 24 VAC Transformer for use with
VT735X/VT83X0 and SE735X/SE83X0 Room Controllers



VC1300E5000 RPP
115 VAC 3-Speed Fan
FCIB 1-Pk

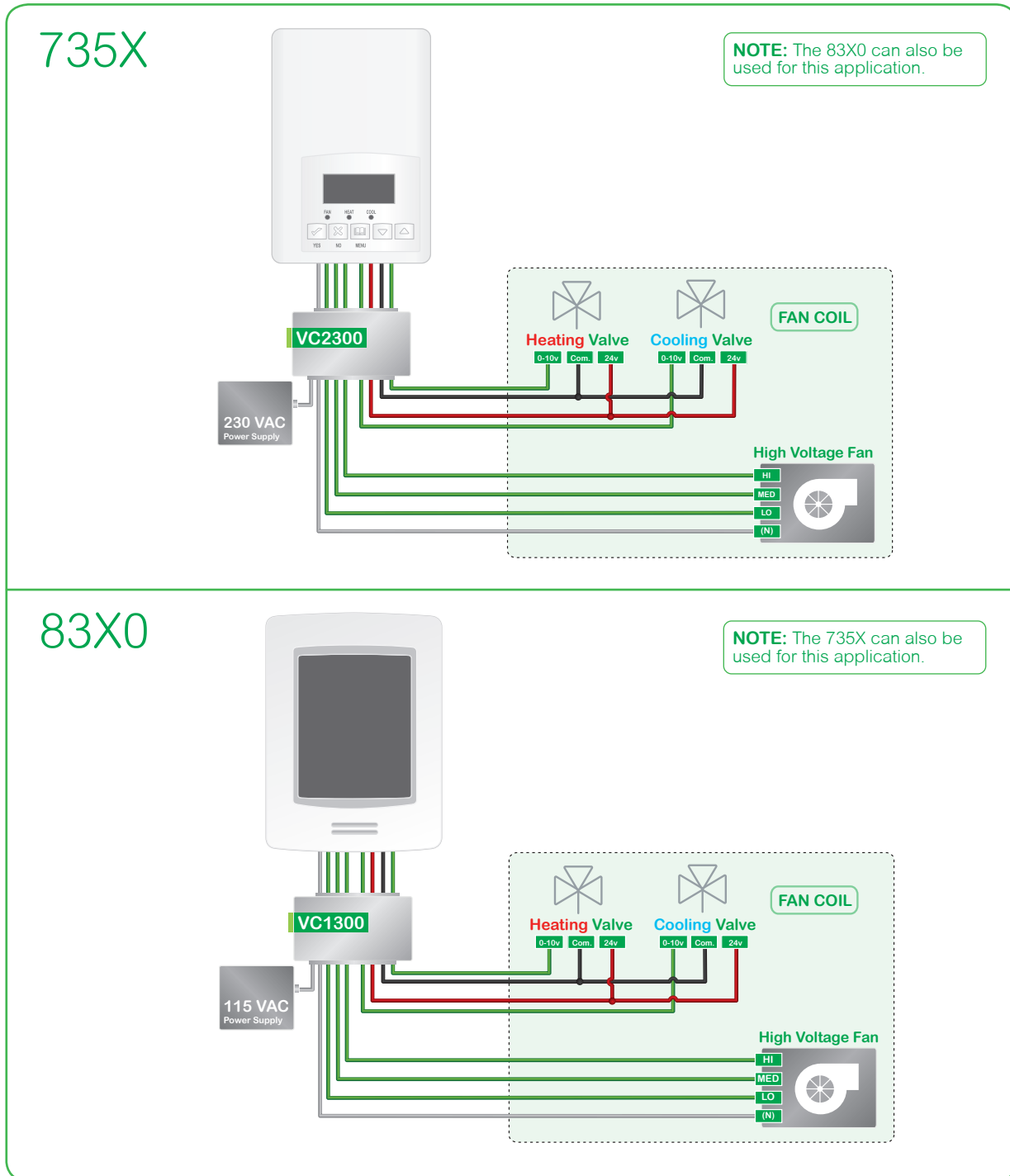


VC2300E5000 RPP
230 VAC 3-Speed Fan
FCIB 1-Pk

Typical Application

In combination with the VT735X/VT83X0 or SE735X/SE83X0 Room Controllers, the VC1300 and VC2300 allow control of a fan-coil requiring mixed voltage for the following:

- Line voltage for the 3-speed fan control (VC1300 is for a 115 VAC unit and VC2300 is for a 230 VAC unit)
- Low voltage for the valve control



Note: For detailed wiring instructions and specifications, refer to the Fan Control Center with 24 VAC Transformer Installation Manual.